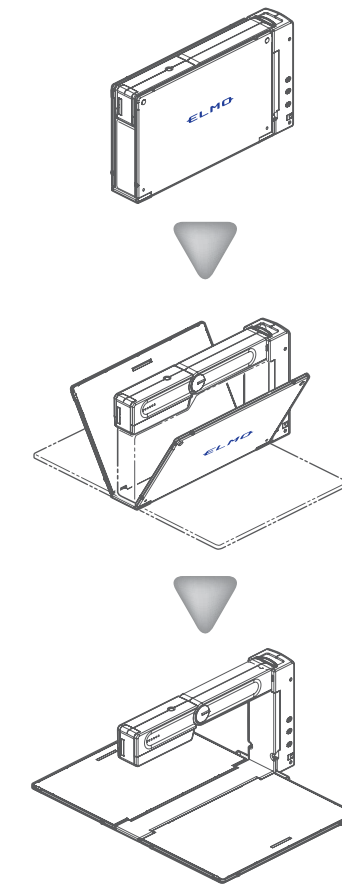
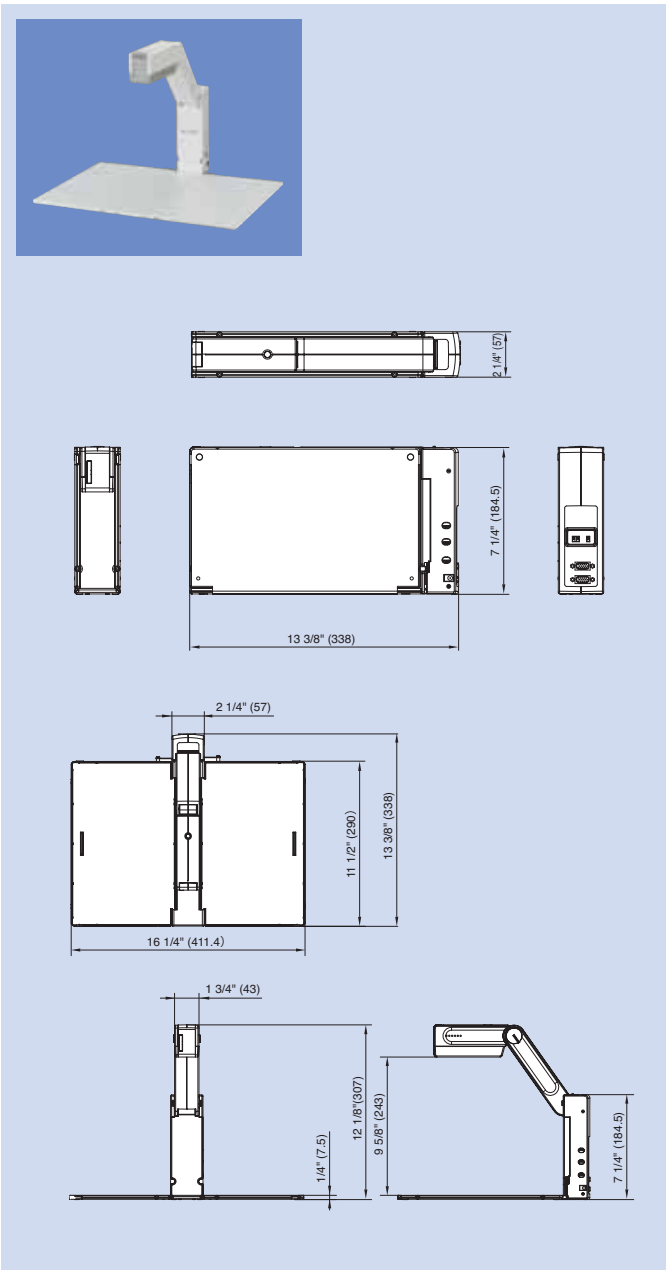


### HV-110u Specifications

Model		HV-110u
Camera	Image pick-up device	1/3" progressive scan CCD, 850,000 pixels
	Effective pixels	1024 (H) x 768 (V)
	Frame rate	20 frames/sec.
	Resolution	600(H) x 600(V) TV lines
Optics	Lens	F4.0, f=3mm
	Shooting area	Max. 15 7/8" x 11 7/8" (401 x 300mm) Min. 8 3/4" x 6 1/2" (221 x 165mm)
	Focus	FOCUSFREE
	Brightness control	Auto (level control provided) / Manual (powered)
Functions	White balance	Full-Auto/Fixed
	Text mode	Provided
	Digital zoom	Provided (8x)
	Media Menu	Provided
	Image save	Provided (onto SD card)
	Sync. system	Internal
	Flickerless mode	Provided
Interfaces	Internal selection	Int./RGB
	Analog RGB output	XGA (1024x768 @60Hz)
	RGB input	Provided
	USB port	Provided
	SD card slot	Provided
Lighting	Illumination lamp	Provided
Others	Accessories	AC adapter, RGB cable, Instruction manual, AC cord, anti-glare sheet (A5 size), holding band, USB cable, Image Mate, TWAIN DS driver, Accessory case, Warranty card
	Dimensions Setup (W x D x H)	Setup 16 1/4"x13 3/8"x12 1/8" (411.4 x 338 x 307mm) Folded 2 1/4"x13 3/8"x7 1/4" (57 x 338 x 184.5mm)
	Weight	4.2lbs (1.9Kgs)
	Power consumption	7W
	Power source	DC12V (AC adapter)

### Profile

All dimensions in inches (mm)



### ELMO's Helping to Provide a Greener Future for Our Children

This ELMO product complies with RoHS Directive 2002/95/EC (Restriction Of the use of certain Hazardous Substances in electronic equipment). This compliance helps to ensure a healthier and greener environment for all our children.

Design and specifications are subject to change without prior notice.  
The images on this brochure are simulated.

"ELMO" is a trademark or registered trademark of ELMO COMPANY, LIMITED.  
Other brand names and product names may be trademarks or registered trademarks of their respective owners.

ISO 9001  
JP 95/05165QA  
ISO 14001  
TW 01/19851EM

ELMO CO.,LTD. (Head Office and  
Factory)'s QMS/EMS has been  
registered to ISO 9001 & 14001 : 2004.

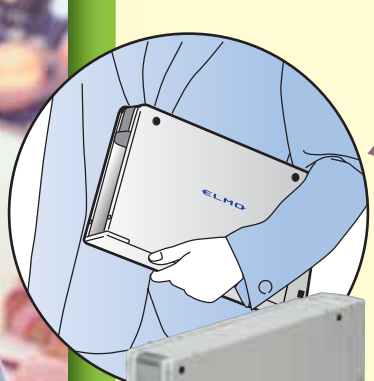
**ELMO**  
FOCUS ON THE FUTURE

Available at: **NETWORK Spectrum**

Call: 301-733-0657

Email: [sales@networkspectrum.com](mailto:sales@networkspectrum.com)

Other products available at:  
[www.networkspectrum.com/gsaschedule/](http://www.networkspectrum.com/gsaschedule/)

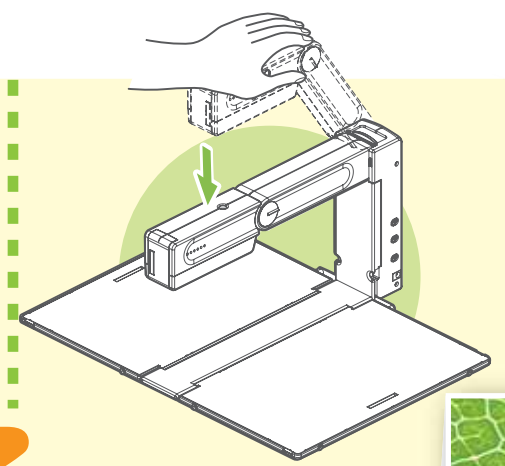


Weight 4.2lbs,  
Only A4 size  
when folded

1



2



3

**Easy!**

The HV-110u is focus free



**Clear!**

Built-in 850,000 pixels  
progressive scan CCD camera  
Two times mechanical zoom function,  
Plus up to four times  
digital zoom function



LED provides uniform lighting

**Compact  
& Simple!**

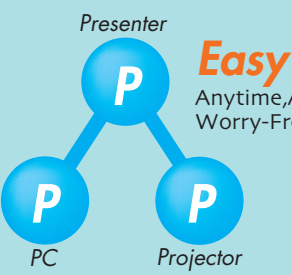
**Speedy!**

Set up in only three steps

- New Compact Design
- FOCUSFREE
- 8x Digital Zoom
- USB2.0
- SD card slot
- Flickerless Mode
- Brightness control
- 850K pixels Progressive Scan CCD
- Moving Picture Output 20 frames/sec
- RGB Switcher Function
- White LED equipped
- Application Software
- Media Menu
- Text Mode

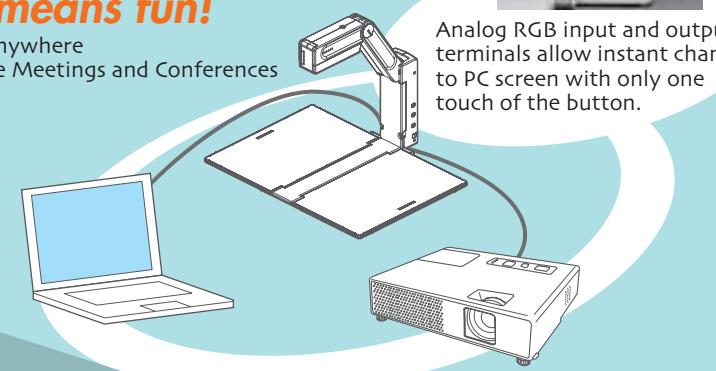
**Real time presentation!**

for **Comprehensible and Creative meeting and classwork**  
Presenter+Projector+PC  
Presentations with 3 Ps persuade and impress. Change smoothly from presenter to PC.



**Easy means fun!**

Anytime, Anywhere  
Worry-Free Meetings and Conferences



Analog RGB input and output terminals allow instant change to PC screen with only one touch of the button.

Visual Presenter  
**HV-110u**



**SD Memory Card-ready**

You can store images directly to the SD card.

Note : Only image files saved to the HV-110u's SD card or converted using the supplied conversion software are viewable through the HV-110u.



**Enjoy presentation!**

**Image Mate for Presentaion**

Annotation tools let you draw lines ( freehand or straight ) in a variety of colors to highlight and enhance screen images, right from your PC.



Split screen gives you a platform for comparing live video to stored image - side by side for greater visual impact.

**USB2.0 PC Interface**

USB2.0 connection to PC supports instant drawing to highlight and annotate image

**Multi application**

