



Clear as Crystal...

Premium SDP-6500DXA

Premium Samsung Digital Presenter

SDP-6500DXA

- Super High Image Quality and Vividly Reproduced Colors with 1.5 Mega Pixels
- 12X Optical Zoom & 3X Digital Zoom Powerful 36X Zoom (Max.)
- 15fps Video Image with High Resolution
- USB 2.0 Rapid and Accurate PC Interface
- DVI Output Terminal for Perfect Digital Image
- GUI Interface for Easy and Convenient Function Control
- Bypass Function for Advanced Usability
- Digital Function (Free Image Rotation, Division)

SAMSUNG

Premium Samsung Digital Presenter SDP-6500DXA

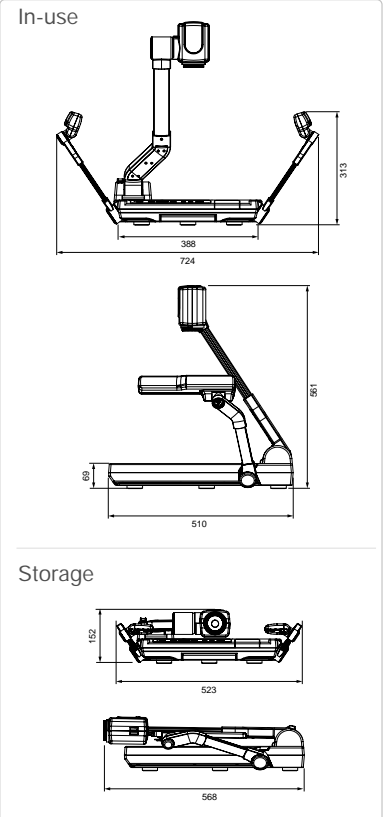


Specifications

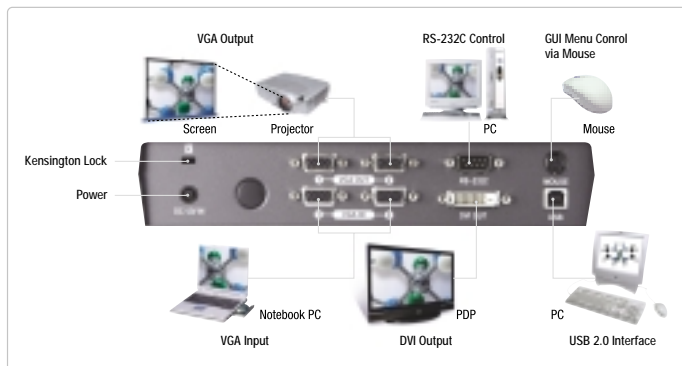
Mode		SDP-6500DXA
Optical System	Lens	F=2.8 (Wide) ~ 2.9 (Tele), f=6.3 ~ 74.4, 36X power zoom
	Shooting Area	Max : 355 x 282mm, Min : 29 x 22mm
	Zoom	Powered (12X), Digital zoom (3X)
	Focus	Powered (Auto Focus / Manual)
Illumination System	Iris	Auto (with fine level adjustment)
	Upper	Attached to the side arm of the main unit
	Lower	Light box (built-in main unit)
	Pick-up Device / Effective Pixel	1/2" 1,500,000 pixels PS CCD / 1,434(H) x 1,050(V)
Video	Frame Rate	15fps
	Sync System	Internal sync.
	VGA Output	1,280 x 1,024(SXGA), 1,024 x 768(XGA) RGB Color
	White Balance	Manual / Auto (one touch type)
	Negative / Positive	Selectable
	Freeze	built-in
	Input Terminals	VGA : 2
	Output Terminals	VGA : 2, USB : 1, DVI : 1, RS-232C : 1
	Remote Controller	Supplied
	GUI (Graphic User Interface)	Supplied
	Input Selection	3 channels (Internal : 1, External : 2)
	On-screen Display	Available
	Image Freeze	Available
	Image Save	Available (8 frames)
	Image Recall	Available (8 frames)
	Image Divide	Available (2 divide of 9 divide)
Image Rotation	Available (90°, 180°, 270°, 0°)	
Image Transfer to Computer	Available (USB : QUAR, HALF, FULL, SCREEN FULL)	
Preset Function	Viewer for application program (Windows 98SE, 2000Pro, XP), TWAIN Driver (Windows)	
PC Connection	USB	USB 2.0
	RS-232C	SET control
	Application Software	Windows 98SE, Macintosh OS 10.x
General	Operating Temperature / Humidity	+5°C ~ +35°C / 30% ~ 90%
	Power	DC12V, 4A (Exclusive adaptor : 100V AC ~ 240V free voltage, 50/60Hz)
	Dimensions	In-use : 724(W) x 561(H) x 510(D)mm / Storage : 523(W) x 152(H) x 568(D)mm
	Weight	7.2Kg
Accessories	Remote controller, Cables, etc.	

Dimensions

Unit : mm



System Configuration



The Eco mark represents Samsung Techwin's will to create environment-friendly products, and indicates that the product satisfies the EU RoHS Directive.

Design and specifications are subject to change without notice.



SAMSUNG TECHWIN

Available at: **NETWORK Spectrum®**

Call: 301-733-0657

Email: sales@networkspectrum.com

Other products available at:

www.networkspectrum.com/gschedule/